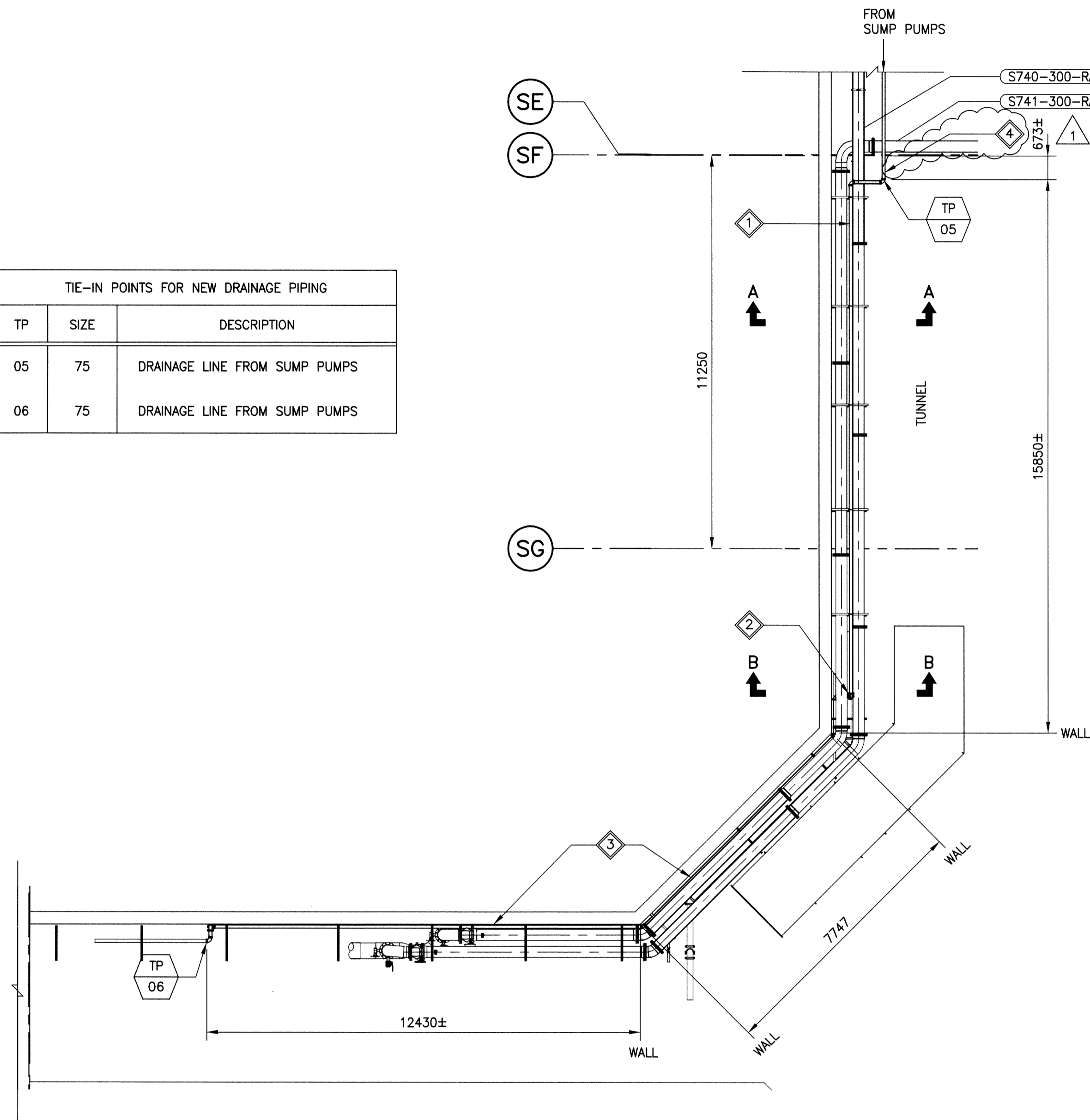
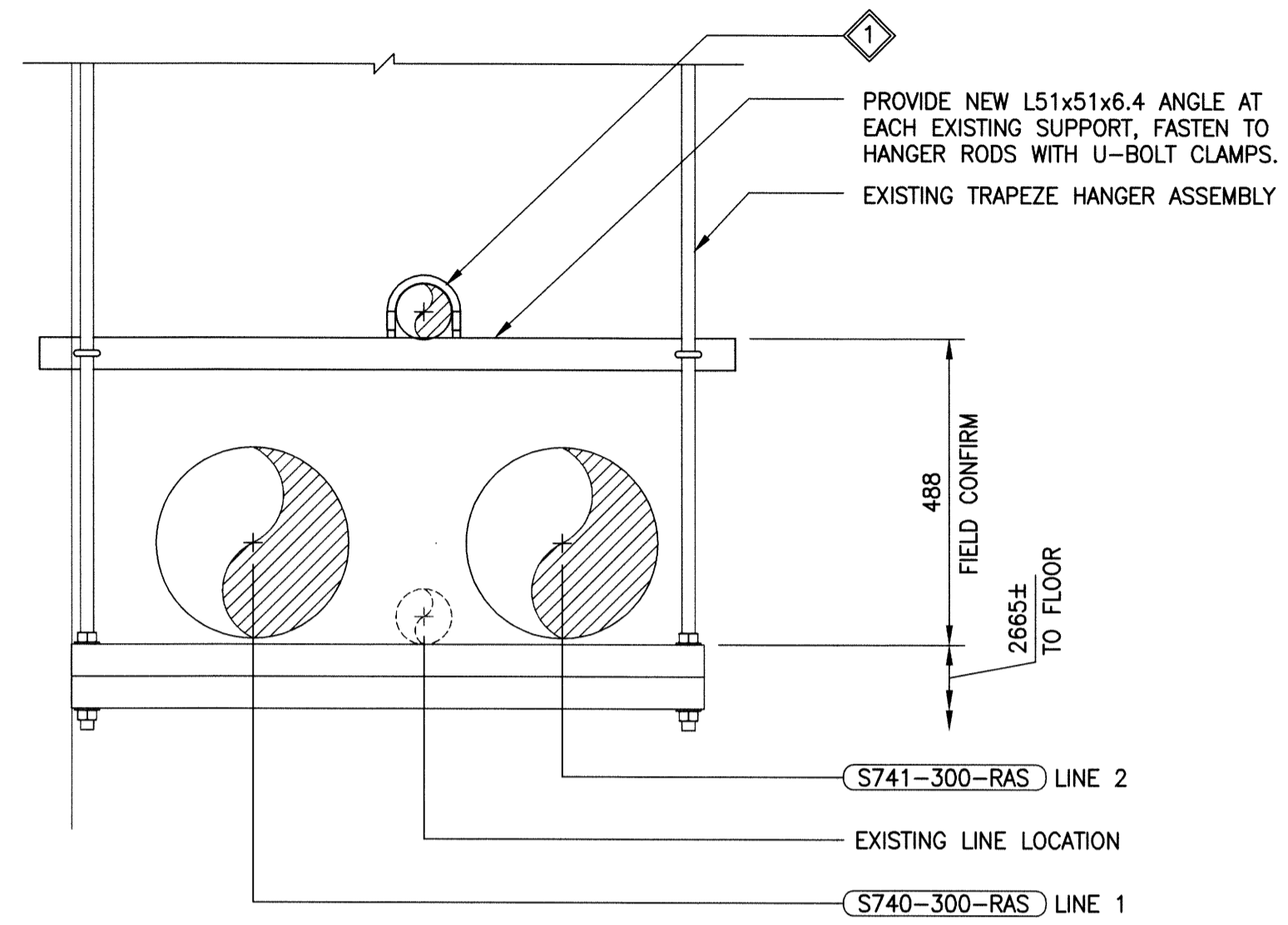


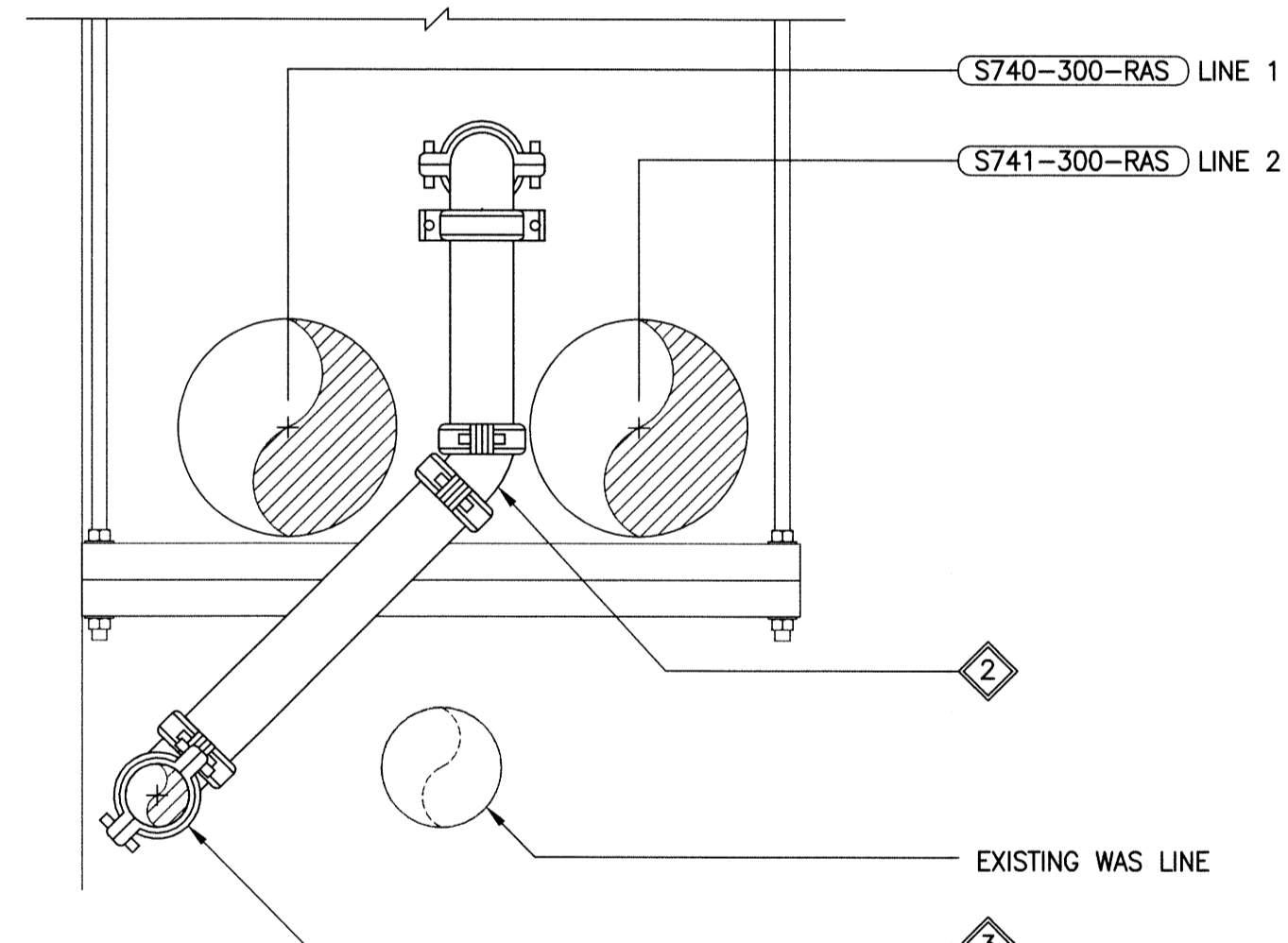
TIE-IN POINTS FOR NEW DRAINAGE PIPING		
TP	SIZE	DESCRIPTION
05	75	DRAINAGE LINE FROM SUMP PUMPS
06	75	DRAINAGE LINE FROM SUMP PUMPS



**PART PLAN**  
SCALE: 1:100



**SECTION A-A**  
SCALE: 1:10



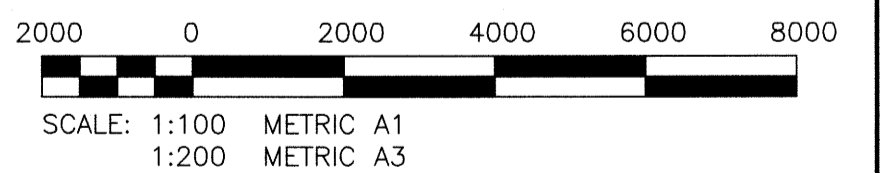
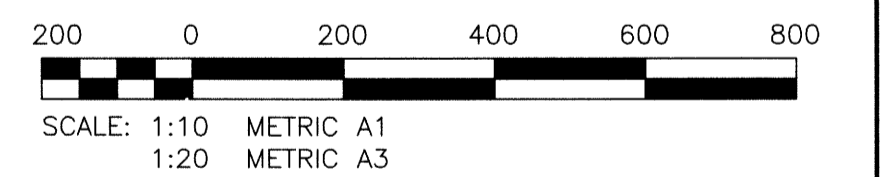
**SECTION B-B**  
SCALE: 1:10

**GENERAL NOTES:**

1. REFER TO GENERAL NOTES ON DWG. M02.

**KEYNOTES:**

1. CONNECT TO TP-05 AND RUN RELOCATED 75mm DRAIN LINE ABOVE RAS PIPES. PROVIDE SUPPORT AT EACH EXISTING TRAPEZE HANGER AS SHOWN.
2. ROUTE DRAIN LINE DOWN BETWEEN RAS PIPES AS SHOWN.
3. FIELD RUN 75mm DRAINAGE LINE ALONG WALL TO TP-06. PROVIDE NEW SUPPORTS FROM WALL NEAR PIPE DIRECTION CHANGES, DO NOT EXCEED 4m SUPPORT SPACING. PROVIDE 25mm BALL VALVE FOR DRAIN IN PIPING LOW POINT.
4. DURING RELOCATION OF 75mm DRAIN LINE, PROVIDE TEMPORARY 75mm HOSE FROM EXISTING LINE NEAR TP-05 TO DRAINAGE PIT BELOW TP-05, TO AVOID INTERRUPTION OF SUMP PUMPS OPERATION.

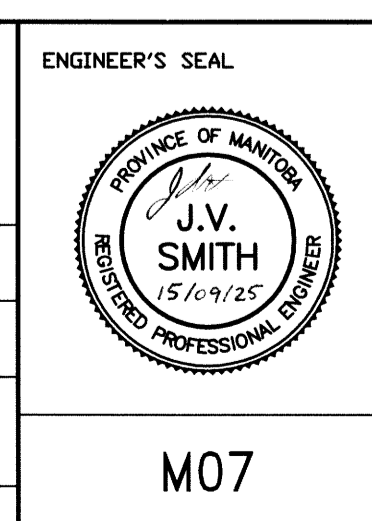


**METRIC**

WHOLE NUMBERS INDICATE MILLIMETRES  
DECIMALIZED NUMBERS INDICATE METRES



FIELD BOOK #		KGS GROUP CONSULTING ENGINEERS		ENGINEER'S SEAL	
POSTED TO LBIS		DESIGNED BY JS	CHECKED BY RED		
		DRAWN BY RP	APPROVED BY JS		
		HOR. SCALE AS NOTED	RELEASED FOR CONSTRUCTION		
1	RE-ISSUED FOR CONSTRUCTION	15/09/25	JS	DATE	2015 08 17
0	ISSUED FOR CONSTRUCTION	15/09/17	JS	DATE	2015 09 17
NO.	REVISIONS	DATE	BY	DATE	2015 08 17



**THE CITY OF WINNIPEG**  
WATER AND WASTE DEPARTMENT

WEWPC RAS PIPE REPLACEMENT

**MECHANICAL**  
DRAINAGE PIPE RELOCATION

SHEET 1 OF 1  
CITY DRAWING NUMBER  
1-0103S-M0034-001-01